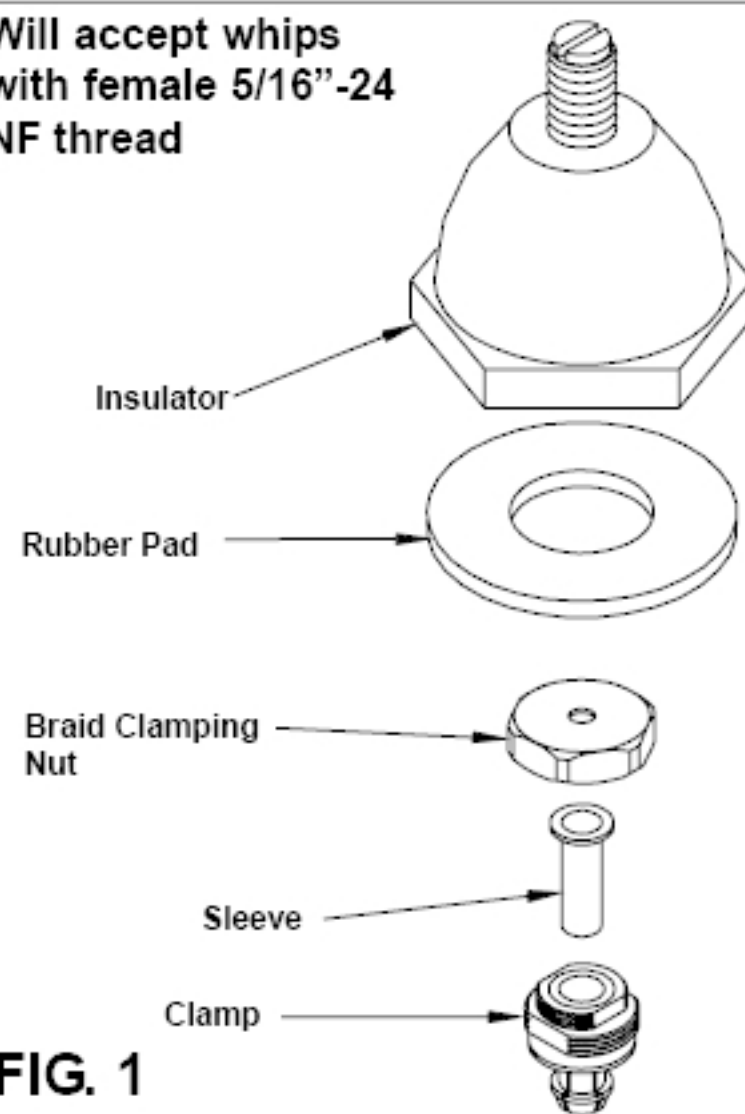


# 3/8" HOLE ROOF OR DECK REPLACEMENT MOUNT INSTALLATION INSTRUCTIONS

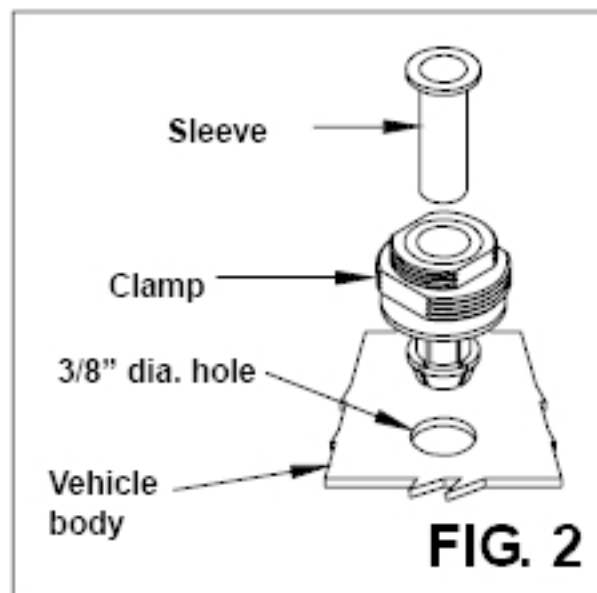
1. Disassemble mount as shown in Fig. 1.
2. Snap clamp into hole and secure by pushing the sleeve all the way into clamp, Fig. 2. While holding the 1/2" flats stationary, tighten the 3/4" flats securely.
3. Strip cable as shown in Fig. 3. (cable not supplied).
4. Route cable through bottom of mount. Flare exposed braid over top of mount, route braid nut over center conductor and secure braid to clamp by tightening the nut, Fig. 4.
5. Place rubber pad over mount, on the vehicle body. Thread insulator onto clamp while feeding the center conductor through metal insert on top of insulator. Pull wire through slot, wrap around shoulder, in clockwise direction, Fig. 5.
6. Thread existing antenna onto metal insert until wire is securely clamped against the shoulder.

K44

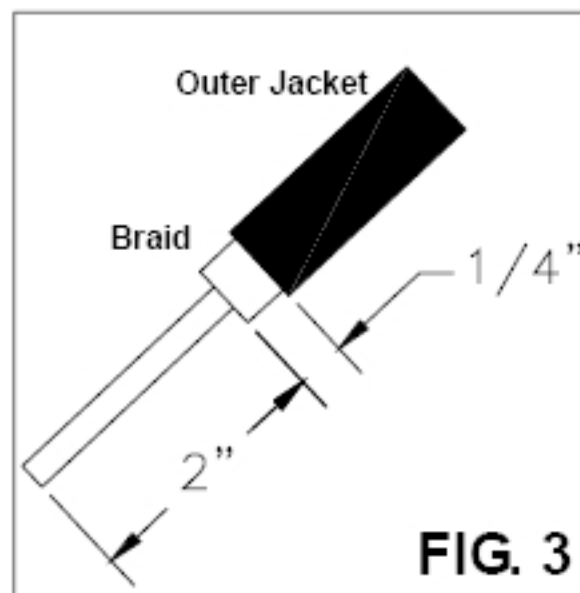
Will accept whips  
with female 5/16"-24  
NF thread



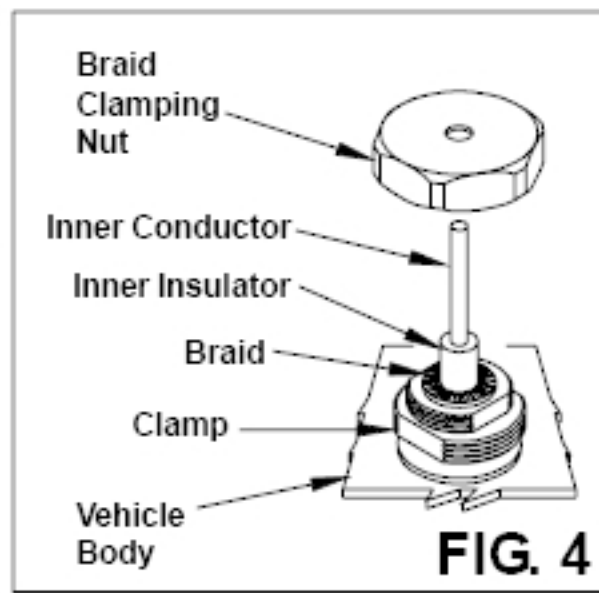
**FIG. 1**



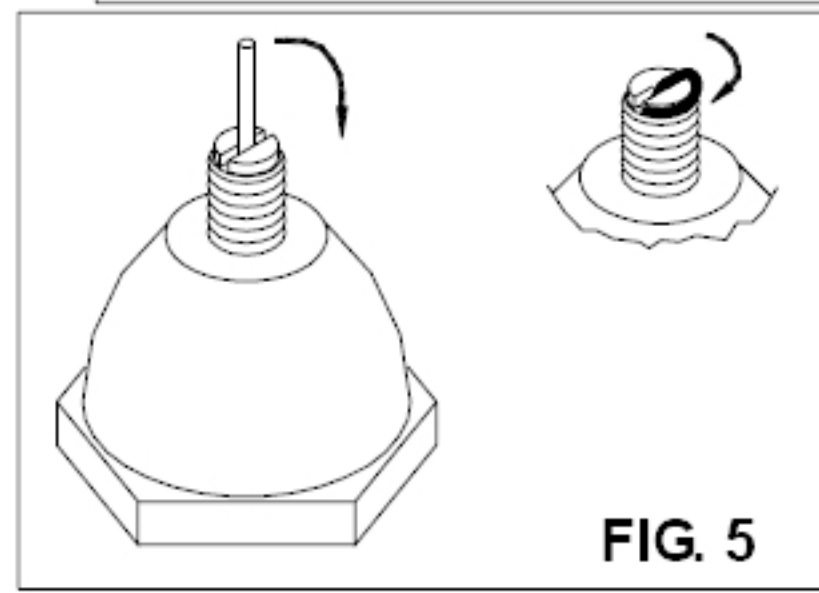
**FIG. 2**



**FIG. 3**



**FIG. 4**



**FIG. 5**